

*A company dedicated to solving ergonomic and material handling problems since 1955.*

**Ergonomic Solutions**

# OWNER'S MANUAL

**LO-PROFILE DRUM CADDIES**

**MODELS LO-DC-MR-A, LO-DC-PU-A & LO-DC-CI-A**

**MODELS LO-DC-MR, LO-DC-PU, LO-DC-CI & LO-DC-PH**

<b>Contents</b>	
Safety Precautions .....	1
Receiving Instructions .....	1
Warranty .....	1
Assembly Instructions .....	1
Operation .....	1
Parts List & Drawing .....	2 & 3

**SAFETY PRECAUTIONS**

***Read owner's manual completely before operating unit!***

- Never exceed the maximum capacity of 1,000 pounds.
- Never load more than one drum at a time.
- Never load the unit unless you are watching it.
- Stand clear of drum while loading and unloading.
- Drum must be pushed all the way to the back of the cradle before moving.
- Use caution in moving a loaded unit; avoid obstructions and floor defects.
- Wear steel-toe shoes when operating.

**RECEIVING INSTRUCTIONS**

Every unit is thoroughly tested and inspected prior to shipment. However, it is possible that the unit may incur damage during transit. If damage is noticed when unloading, make a note of it on the BILL OF LADING. Remove all packing and strapping material, then inspect the unit again for damage. IF DAMAGE IS EVIDENT, FILE A CLAIM WITH THE CARRIER IMMEDIATELY!

**WARRANTY**

This product is warranted for 90 DAYS from date of purchase to be free of manufacturing defects in material and workmanship.

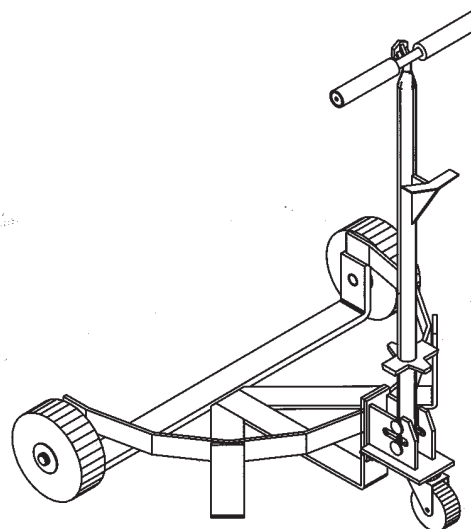
This warranty does not cover normal wear of parts or damage resulting from any of the following: negligent use or misuse of the product, use or application contrary to installation instructions, or disassembly, repair or alteration by any person prior to authorization from a factory representative.

**ASSEMBLY INSTRUCTIONS**

- 1) Attach casters using hardware included.
- 2) Bolt wheel assembly to cradle using hardware included.
- 3) Slide Handle into Wheel Assembly  
 (Please refer to the next page for the assembly drawing)

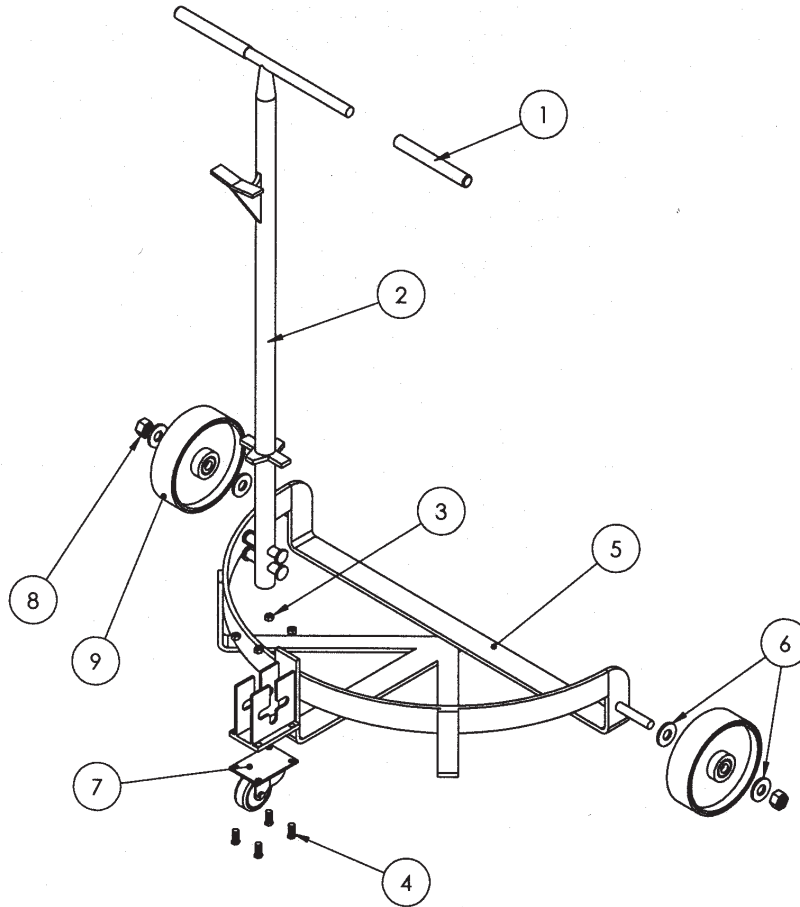
**OPERATION**

- 1) Align unit in front of drum, remove handle, grip drum with handle.
- 2) Tip drum up while guiding the cradle under the drum.
- 3) Reattach handle and transport drum to desired location.



**LO-PROFILE DRUM CADDIES  
 MODELS LO-DC-MR-A, LO-DC-PU-A  
 & LO-DC-CI-A**

**LO-PROFILE DRUM CADDIES • MODELS LO-DC-MR-A, LO-DC-PU-A & LO-DC-CI-A**  
**Assembly & Parts Drawing**

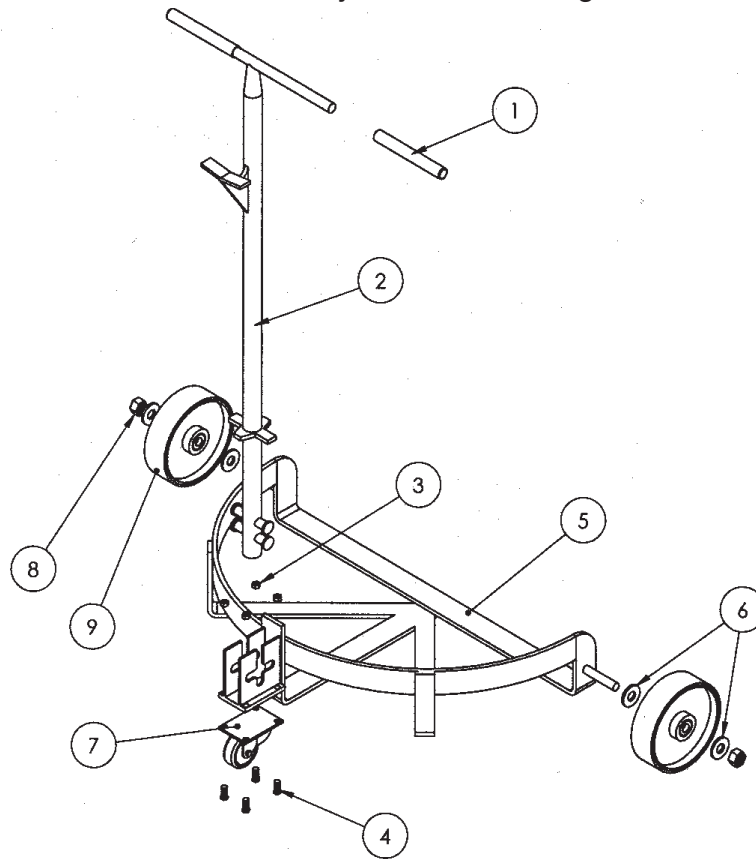


**PARTS IDENTIFICATION**

**LO-PROFILE DRUM CADDIES • MODELS LO-DC-MR-A, LO-DC-PU-A & LO-DC-CI-A**

KIT NO.	ITEM NO.	DESCRIPTION	ENGINEER NO.	QTY.
A	1	Handle grip	16-025-007	2
	2	Handle	16-025-026	1
A	3	Lock Nut, M8-1.25	N/A	4
A	4	Bolt, M8 - 1.25 x 20 mm	N/A	4
	5	Craddle Assembly	16-538-003	1
A,B,C,D	6	Washer, 13mm ID x 35mm OD x 2mm	N/A	4
B,C,D	7	Rear Caster (1-3/8" x 3")	16-514-097	2
A,B,C,D	8	Lock Nut, M12-1.75	N/A	2
B,C,D	9	Mold-on-Rubber Wheel (2" x 6")	16-132-058	2
B,C,D	9	Cast Iron Wheel (2" x 6")	16-132-161	2
B,C,D	9	Poly-on-Steel Wheel (2" x 6")	16-132-162	2
A		Hardware Kit (includes 1,3,4,6,8)	16-154-024	1
B		Mold-on-Rubber Wheel Kit (includes 6A-9B)	16-154-021	1
C		Cast Iron Wheel Kit (includes 6A-9C)	16-154-022	1
D		Poly-on-Steel Wheel Kit (includes 6A-9D)	16-154-023	1

**LO-PROFILE DRUM CADDIES • MODELS LO-DC-MR, LO-DC-PU, LO-DC-CI & LO-DC-PH**  
**Assembly & Parts Drawing**



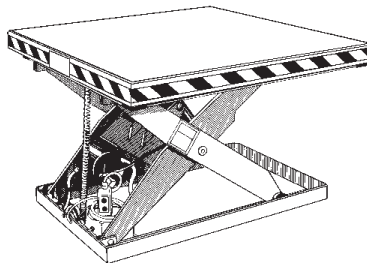
**PARTS IDENTIFICATION**

**LO-PROFILE DRUM CADDIES • MODELS LO-DC-MR, LO-DC-PU, LO-DC-CI & LO-DC-PH**

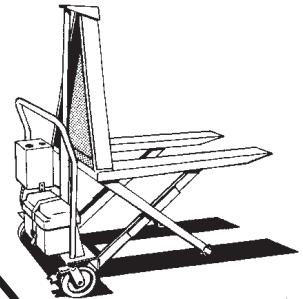
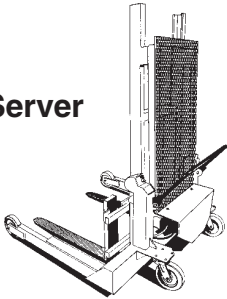
KIT NO.	ITEM NO.	DESCRIPTION	ENGINEER NO.	QTY.
A	1	Handle grip	16-025-007	2
	2	Handle	16-025-026	1
A	3	Lock Nut, M8-1.25	N/A	4
A	4	Bolt, M8 - 1.25 x 20 mm	N/A	4
	5	Craddle Assembly	16-538-003	1
A,B,C,D	6	Washer, 14mm ID x 37mm OD x 3mm	N/A	4
B,C,D	7	Rear Caster (1-1/4" x 3")	16-514-097	2
A,B,C,D	8	Lock Nut, M12-1.75	N/A	2
B,C,D	9	Mold-on-Rubber Wheel (1-1/2" x 6")	16-132-058	2
B,C,D	9	Cast Iron Wheel (1-1/2" x 6")	16-132-161	2
B,C,D	9	Poly-on-Steel Wheel (1-1/2" x 6")	16-132-162	2
B,C,D	9	Phenolic Wheel (1-1/2" x 6")	16-132-817	2
A		Hardware Kit (includes 1,3,4,6,8)	16-154-024	1
B		Mold-on-Rubber Wheel Kit (includes 6A-9B)	16-154-021	1
C		Cast Iron Wheel Kit (includes 6A-9C)	16-154-022	1
D		Poly-on-Steel Wheel Kit (includes 6A-9D)	16-154-023	1
E		Phenolic Wheel Kit (includes 6A-9E)	16-154-026	1

# Material Handling Problem Solvers

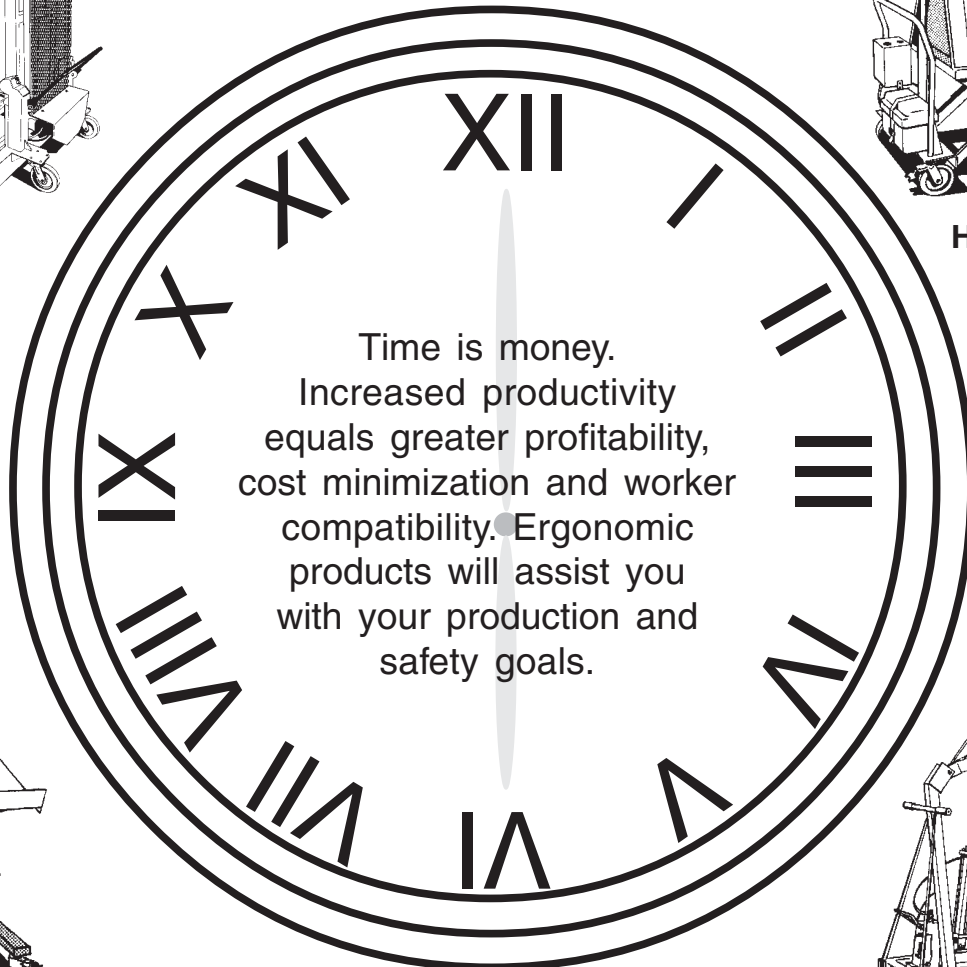
Scissor Lift Table



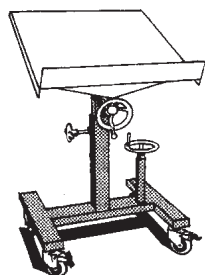
Pallet Server



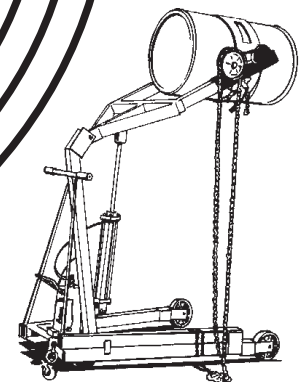
High Rise Lift



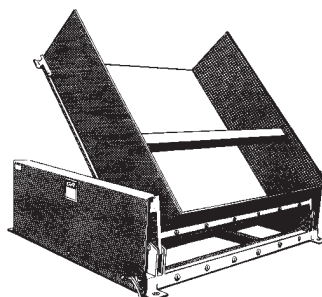
Time is money.  
Increased productivity  
equals greater profitability,  
cost minimization and worker  
compatibility. Ergonomic  
products will assist you  
with your production and  
safety goals.



Mobile Lift & Tilt  
Work Stand



Drum Carrier/Rotator



Ground Lift Tilter